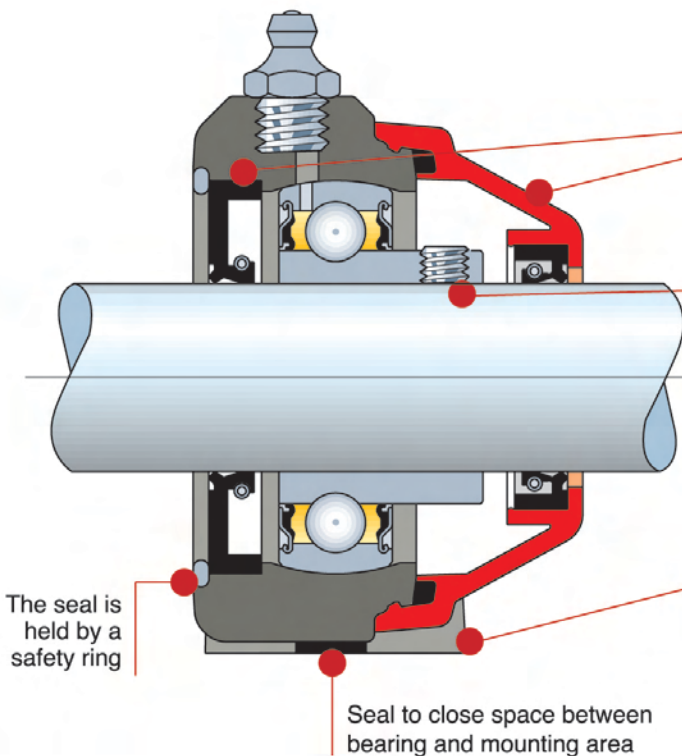


LDK[®] Thermoplastic Bearing Units Waterproof Series



Waterproof housing

The waterproof sealing system guarantees protection of the bearing from the external environment

Special Characteristics

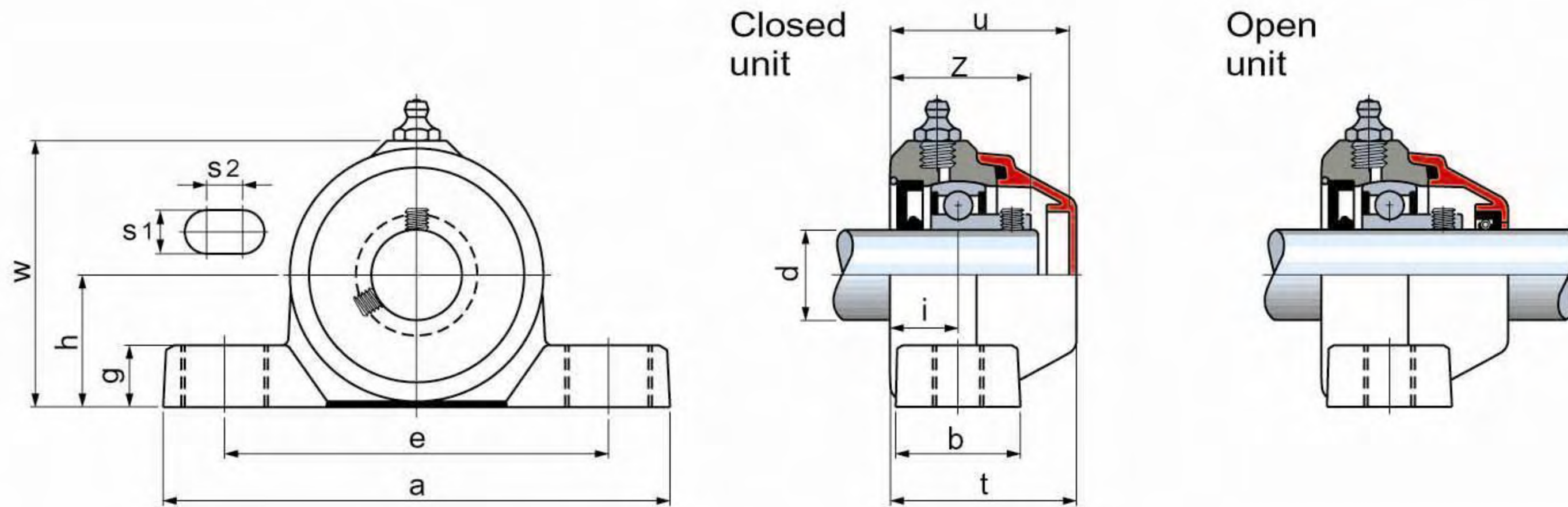
Corrosion resistance, Resistance to food & liquid contaminants, adapt to frequent washdowns and Low weight element helps to meet your particular engineering demands.

Insert Bearings

To be assembled with chrome steel or stainless steel insert bearings to meet your particular budget and performance needs.

The seal is held by a safety ring

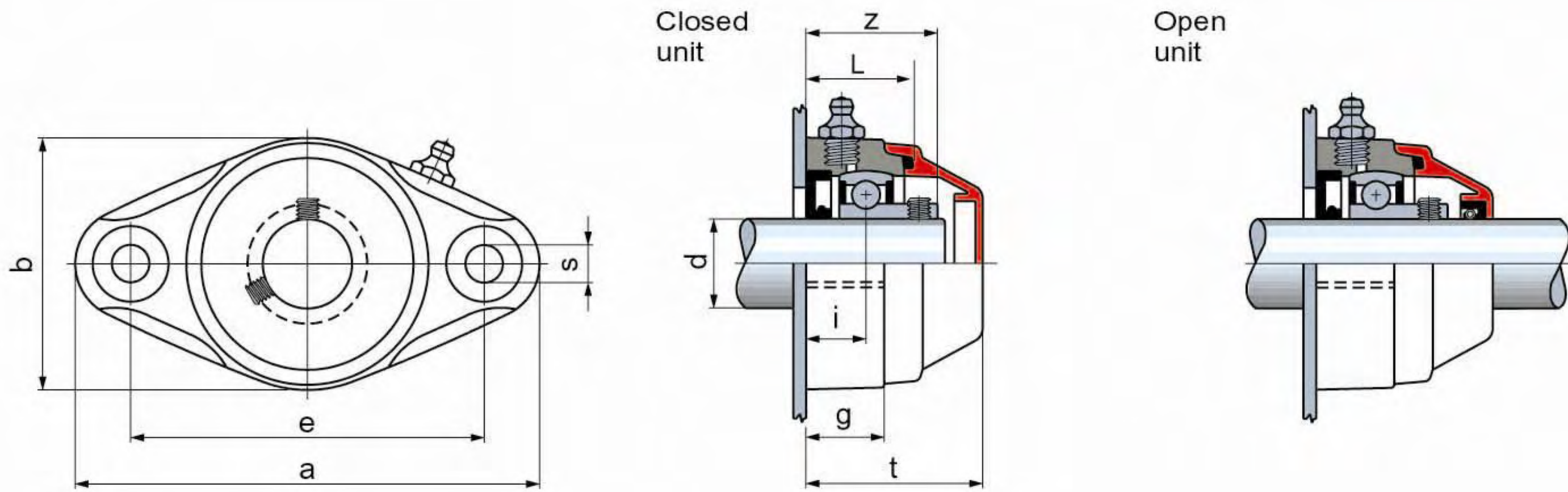
Seal to close space between bearing and mounting area



WP-SBP200 WP-SSBP200 Series

Unit No.		Shaft Dia		Dimensions(mm)											Housing No.	Bearing No.		Weight kg	
		d		a	e	h	w	S1	S2	g	b	i	z	u		t			
		(in)	(mm)																
WP-SBP204-12	WP-SSBP204-12	3/4		128	96	33.3	67	12	10	17	30	18.9	37.2	47.7	49.7	WP-P204	SB204-12	SSB204-12	0.26
WP-SBP204	WP-SSBP204		20														SB204	SSB204	
WP-SBP205-14	WP-SSBP205-14	7/8		140	106	36.5	75	12	10	17	34.5	18.9	38.6	49.5	51.5	WP-P205	SB205-14	SSB205-14	0.33
WP-SBP205-15	WP-SSBP205-15	15/16															SB205-15	SSB205-15	
WP-SBP205	WP-SSBP205		25														SB205	SSB205	
WP-SBP205-16	WP-SSBP205-16	1															SB205-16	SSB205-16	
WP-SBP206-17	WP-SSBP206-17	1-1/16															SB206-17	SSB206-17	
WP-SBP206-18	WP-SSBP206-18	1-1/8															SB206-18	SSB206-18	
WP-SBP206	WP-SSBP206		30	163	121	42.9	88	14	10	22	36	19.7	41.9	53	55	WP-P206	SB206	SSB206	0.49
WP-SBP206-19	WP-SSBP206-19	1-3/16															SB206-19	SSB206-19	
WP-SBP206-20	WP-SSBP206-20	1-1/4															SB206-20	SSB206-20	
WP-SBP207-20	WP-SSBP207-20	1-1/4															SB207-20	SSB207-20	
WP-SBP207-21	WP-SSBP207-21	1-5/16															SB207-21	SSB207-21	
WP-SBP207-22	WP-SSBP207-22	1-3/8		167	126	47.6	98	14	10	20	38.6	21.3	46.7	59	61	WP-P207	SB207-22	SSB207-22	0.64
WP-SBP207	WP-SSBP207		35														SB207	SSB207	
WP-SBP207-23	WP-SSBP207-23	1-7/16															SB207-23	SSB207-23	
WP-SBP208-24	WP-SSBP208-24	1-1/2															SB208-24	SSB208-24	
WP-SBP208-25	WP-SSBP208-25	1-9/16		185	136	50	102	14	10	20	38.6	25	55.2	64.5	66.5	WP-P208	SB208-25	SSB208-25	0.86
WP-SBP208	WP-SSBP208		40														SB208	SSB208	

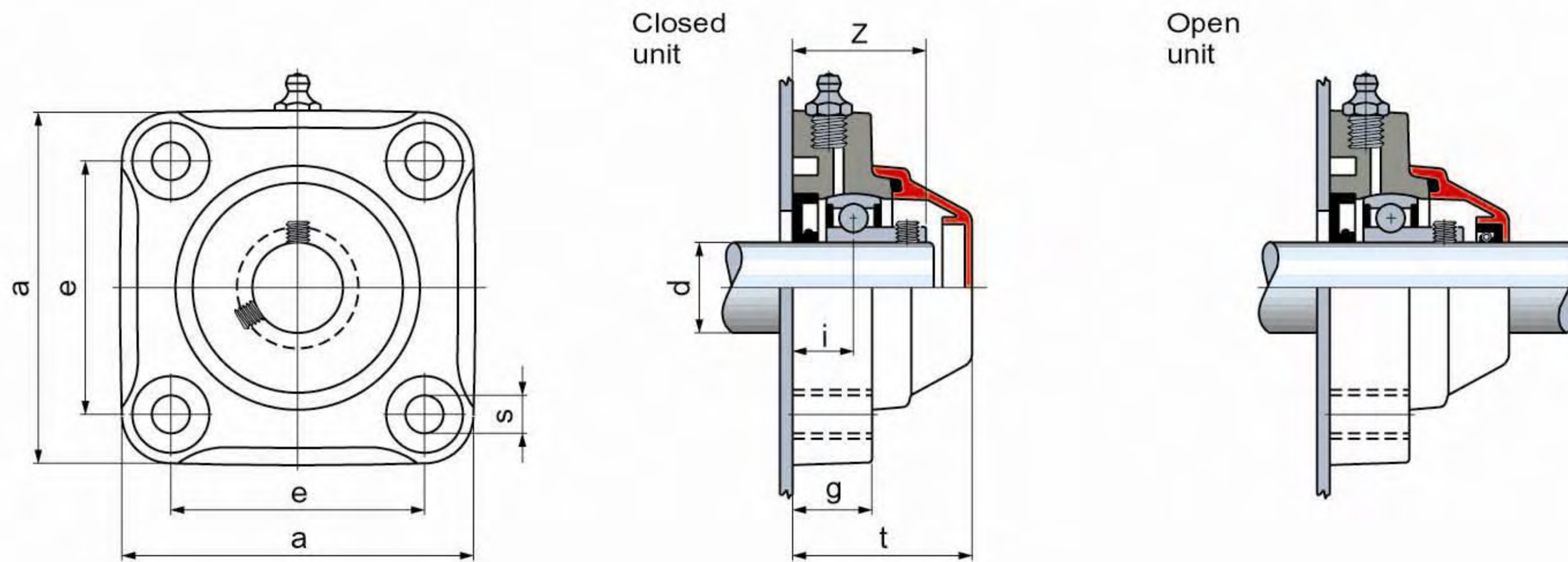
MODE OF LOAD	BREAKING POINT OF HOUSINGS(N)				
	204	205	206	207	208
	6473	6290	5775	5817	6913
	6671	6681	6761	6811	6911
	2569	2621	2650	2790	3291



WP-SBFL200 WP-SSBFL200 Series

Unit No.		Shaft Dia		Dimensions(mm)									Housing No.	Bearing No.		Weight kg
		d		a	e	b	S	g	L	i	z	t		SB	SSB	
		(in)	(mm)													
WP-SBFL204-12	WP-SSBFL204-12	3/4		117	90	62	11	20	25	15.2	33.5	46	WP-FL204	SB204-12	SSB204-12	0.25
WP-SBFL204	WP-SSBFL204		20											SB204	SSB204	
WP-SBFL205-14	WP-SSBFL205-14	7/8		131	99	71	11	22.5	27.5	16.8	36.6	49.5	WP-FL205	SB205-14	SSB205-14	0.33
WP-SBFL205-15	WP-SSBFL205-15	15/16												SB205-15	SSB205-15	
WP-SBFL205	WP-SSBFL205		25											SB205	SSB205	
WP-SBFL205-16	WP-SSBFL205-16	1												SB205-16	SSB205-16	
WP-SBFL206-17	WP-SSBFL206-17	1- 1/16		149	118	85	11	26	31.5	20	42.2	55	WP-FL206	SB206-17	SSB206-17	0.42
WP-SBFL206-18	WP-SSBFL206-18	1-1/8												SB206-18	SSB206-18	
WP-SBFL206	WP-SSBFL206		30											SB206	SSB206	
WP-SBFL206-19	WP-SSBFL206-19	1-3/16												SB206-19	SSB206-19	
WP-SBFL206-20	WP-SSBFL206-20	1-1/4												SB206-20	SSB206-20	
WP-SBFL207-20	WP-SSBFL207-20	1-1/4		163	130	93	11	26	32	19.5	44.9	59	WP-FL207	SB207-20	SSB207-20	0.66
WP-SBFL207-21	WP-SSBFL207-21	1-5/16												SB207-21	SSB207-21	
WP-SBFL207-22	WP-SSBFL207-22	1-3/8												SB207-22	SSB207-22	
WP-SBFL207	WP-SSBFL207		35											SB207	SSB207	
WP-SBFL207-23	WP-SSBFL207-23	1-7/16												SB207-23	SSB207-23	
WP-SBFL208-24	WP-SSBFL208-24	1-1/2		177	144	102	11	30	36	23	53.2	65.5	WP-FL208	SB208-24	SSB208-24	0.92
WP-SBFL208-25	WP-SSBFL208-25	1-9/16												SB208-25	SSB208-25	
WP-SBFL208	WP-SSBFL208		40											SB208	SSB208	

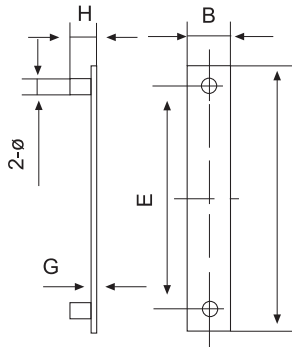
MODE OF LOAD	BREAKING POINT OF HOUSINGS(N)				
	204	205	206	207	208
	8756	8943	10132	10234	14000
	8733	15811	15823	16211	16233
	2384	3876	4001	4501	5079



WP-SBF200 WP-SSBF200 Series

Unit No.		Shaft Dia		Dimensions(mm)							Housing No.	Bearing No.		Weight kg
		d		a	e	S	g	i	z	t				
		(in)	(mm)											
WP-SBF204-12	WP-SSBF204-12	3/4		86	63.5	11	20	15	33.3	46	WP-F204	SB204-12	SSB204-12	0.36
WP-SBF204	WP-SSBF204		20									SB204	SSB204	
WP-SBF205-14	WP-SSBF205-14	7/8		98	70	11	22.5	16.8	36.6	49.5	WP-F205	SB205-14	SSB205-14	0.38
WP-SBF205-15	WP-SSBF205-15	15/16										SB205-15	SSB205-15	
WP-SBF205	WP-SSBF205		25									SB205	SSB205	
WP-SBF205-16	WP-SSBF205-16	1										SB205-16	SSB205-16	
WP-SBF206-17	WP-SSBF206-17	1- 1/16		110	83	11	26	20	42.2	55	WP-F206	SB206-17	SSB206-17	0.56
WP-SBF206-18	WP-SSBF206-18	1-1/8										SB206-18	SSB206-18	
WP-SBF206	WP-SSBF206		30									SB206	SSB206	
WP-SBF206-19	WP-SSBF206-19	1-3/16										SB206-19	SSB206-19	
WP-SBF206-20	WP-SSBF206-20	1-1/4										SB206-20	SSB206-20	
WP-SBF207-20	WP-SSBF207-20	1-1/4		120	92	11	26	19.5	44.9	59	WP-F207	SB207-20	SSB207-20	0.77
WP-SBF207-21	WP-SSBF207-21	1-5/16										SB207-21	SSB207-21	
WP-SBF207-22	WP-SSBF207-22	1-3/8										SB207-22	SSB207-22	
WP-SBF207	WP-SSBF207		35									SB207	SSB207	
WP-SBF207-23	WP-SSBF207-23	1-7/16										SB207-23	SSB207-23	
WP-SBF208-24	WP-SSBF208-24	1-1/2		131	102	11	30	22	52.2	65.5	WP-F208	SB208-24	SSB208-24	0.99
WP-SBF208-25	WP-SSBF208-25	1-9/16										SB208-25	SSB208-25	
WP-SBF208	WP-SSBF208		40									SB208	SSB208	

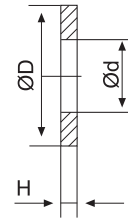
MODE OF LOAD	BREAKING POINT OF HOUSINGS(N)				
	204	205	206	207	208
	17091	20142	20932	21690	22707
	8820	10350	16020	16560	16740
	2533	3329	3922	4100	4230



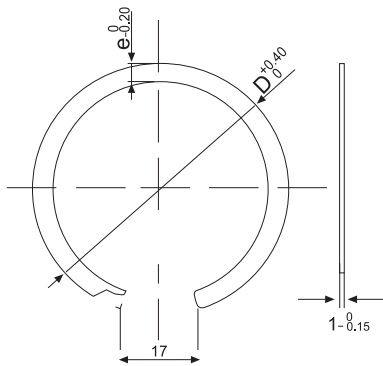
VIBRATION-ABSORB PLATES

DIM SIZE	Dimensions(mm)					
	L	E	B	H	G	Ø
WP-P204	50	42	8	5.5	1.5	3
WP-P205	50	42	8	5.5	1.5	3
WP-P206	66	50	8	5.5	1.5	3
WP-P207	70	54	10	5.5	1.5	3
WP-P208			9	6	2	3

STAINLESS STEEL WASHER

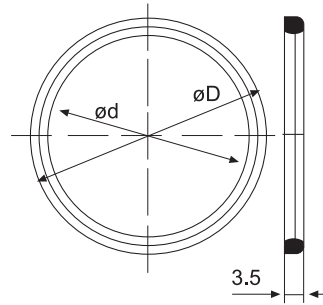


DIM SIZE	Dimensions(mm)		
	d	D	H
WP-F/FL204	10.5	20	2
WP-F/FL205	10.5	20	2
WP-F/FL206	10.5	20	2
WP-F/FL207	10.5	20	2
WP-F/FL208	10.5	20	2



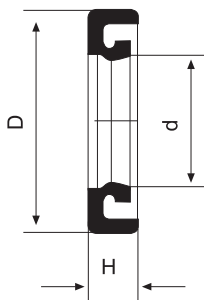
SAFETY RING

DIM SIZE	Dimensions(mm)	
	D	e
WP-P204	50	3
WP-P205	55	3
WP-P206	65	3
WP-P207	75	3.5
WP-P208	83	3.5



O RINGS

DIM SIZE	Dimensions(mm)	
	D	d
WP-P/F/FL204	50	43
WP-P/F/FL205	60	53.5
WP-P/F/FL206	68	61.5
WP-P/F/FL207	78.3	72.3
WP-P/F/FL208	86.8	79.5



BACK SEAL

DIM SIZE	Dimensions(mm)		
	D	d	H
WP-P/F/FL204	47	20	7
WP-P/F/FL205	52	25	7
WP-P/F/FL206	62	30	7
WP-P/F/FL207	72	35	7
WP-P/F/FL208	80	40	7